



Highlights:

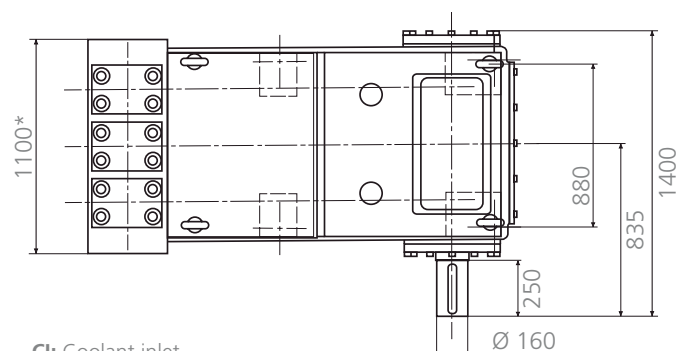
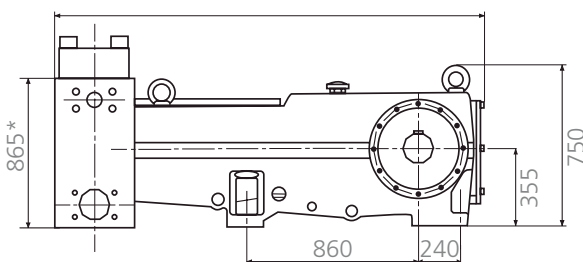
- Energy efficient
- Easy maintenance
- Extremely compact
- Energy efficient
- Extensive accessories, such as our pneumatic intake valve boost (PSVA)
- Low noise

DP 412 | Technical data

High-pressure triplex plunger pump

Nenndruck (bar)	Plunger-durchmesser (mm)	Effektiver Volumenstrom (l / min)										
		131	146	165	185	209	235	263	292	329	370	
1000	50	131	146	165	185	209	235	263	292	329	370	
800	55	159	177	199	224	253	284	318	354	398	448	
630	60	191	213	240	269	304	342	383	425	478	539	
500	70	260	290	326	367	414	465	521	579	651	734	
400	75	298	332	375	421	475	534	598	665	747	842	
315	85	387	431	486	546	617	693	777	863	970	1093	
250	95	483	539	608	683	771	866	970	1078	1212	1365	
200	110	648	723	815	915	1033	1160	1301	1445	1625	1830	
160	120	771	860	969	1089	1230	1381	1548	1720	1933	2178	
125	135	976	1088	1227	1379	1557	1748	1959	2177	2447	2757	
100	150	1205	1344	1515	1702	1922	2158	2418	2687	3021	3404	
Pumpendrehzahl (min ⁻¹)		148	165	186	209	236	265	297	330	371	418	
Wellenleistung Pumpe		238	266	300	337	380	427	478	532	598	673	

The specified values are based on continuous operation and using water as a working medium.



CI: Coolant inlet
 CO: Coolant outlet
 B: 4x fixing hole dia. 17 mm

Version with integrated water cooling
 Weight: approx. 2900 kg

All dimensions specified in mm.

Application examples

- Hydraulic drives
- Descaling
- Industrial cleaning
- Deburring
- Hydroentanglement
- And many more applications



Descaling



Forging press drives

Is your application not mentioned here?

Please give us a call. We'll be pleased to advise you.

Design features

- Extremely compact design
- Robust construction suitable for continuous and intermittent operation
- Easily accessible valve inserts
- Excellent suction capacity
- Plungers made of coated stainless steel, ceramic or other high-grade materials
- Low-maintenance drive unit
- Start-up under load possible
- Self-adjusting maintenance-free high-pressure seal
- Maintenance-free low-pressure seal
- Quick-release piston clamp for rapid assembly and maintenance

Accessories

- Pneumatic intake valve boost
- Safety valve
- Recirculating valve
- Pressure regulating valve
- Shut-off valve
- Check valve
- Pressure oil lubrication
- Pulsation damper
- Water or air cooling
- Sound insulation
- Filter units
- Pump controller
- System accessories
- Diagnostic aid
- Further accessories on request

Drive options

- Compact V-belt drive (vertical design)
- V-belt drive
- Gearbox with or without couplings
- Vertical gearbox
- Direct drive (with or without frequency converter)



Wepuko PAHNKE GmbH
Max-Planck-Str. 10
72555 Metzingen
Germany

Tel.: +49 7123 1805-0
Fax: +49 7123 41231
wepuko@wepuko.de
www.wepuko.com

